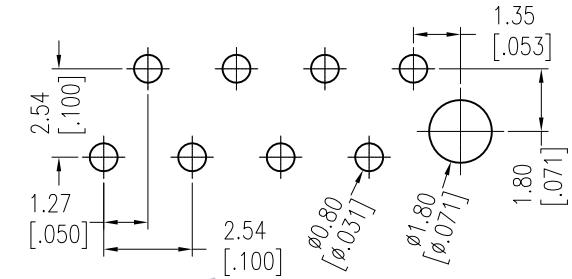
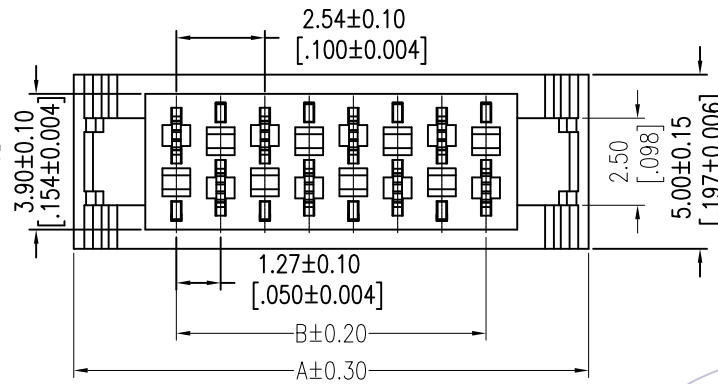


HSF

NOTES:
 Current Rating: 1.0AMP
 Contact Resistance: 20mΩ Max
 Withstand Voltage: 500V AC/DC
 Insulation Resistance: 1000MΩ Min
 Operation Temperature: -40°C to +105°C

Contact Material: Phosphor Bronze
 Contact plating: Sn Over Ni
 Insulator Material: PA46+30%G.F UL94V-0

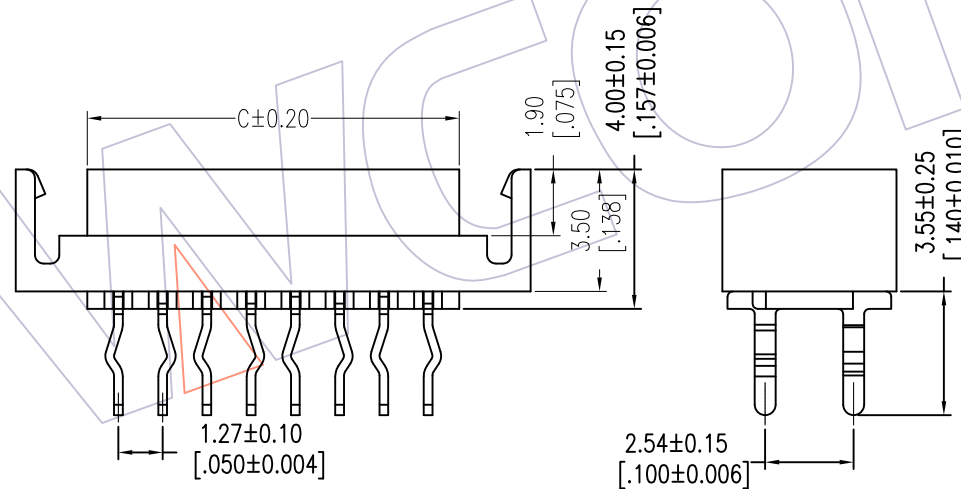
Recommended P.C.B Layout(Top Side)
 (PCB BOARD TOLERANCE±0.05)



Ordering Information

3900-XX FS SN E W T 01

No. of Pins: 04P 12P, 06P 14P, 08P 16P, 10P 18P, 20P
 Contact Plating: SN=Tin
 Insulator Material: E=PA46
 Packing: T=Tube



Circuit	Part No.	Dimension			Q'ty /Tube
		A	B	C	
04	3900-04FSSNEWT01	9.70	3.81	5.60	59
06	3900-06FSSNEWT01	12.24	6.35	8.14	47
08	3900-08FSSNEWT01	14.78	8.89	10.68	39
10	3900-10FSSNEWT01	17.32	11.43	13.22	33
12	3900-12FSSNEWT01	19.86	13.97	15.76	29
14	3900-14FSSNEWT01	22.40	16.51	18.30	25
16	3900-16FSSNEWT01	24.94	19.05	20.84	23
18	3900-18FSSNEWT01	27.48	21.59	23.38	21
20	3900-20FSSNEWT01	30.02	24.13	25.92	19

REV	DATE	MODIFICATION DESCRIPTION	CHANGE	OPERATION	DRAW	DATE	SCALE	FIT	PART NO.
A3	2018/05/15	MINI MATCH--1.27mm MRC Connector	-----	x.X ±0.40	Ding	2018/05/15	UNIT	mm	SEE TAB
A2	2014/05/28	Micro Match --Mini Match	-----	x.XX ±0.25	CHECK	DATE	SIZE	A4	TITLE:
A0	2012/10/11	NEW	-----	x.XXX ±0.15	APPROVE	DATE	SHEET	1/1	1.27mm MRC Connector Socket
				Angle ± 3'			PROJ.		△△ 180° DIP With Latch
				DIM TOL					Customer NO.

WCON
 Http: www.wcon.com

WCON-Dongguan
 Tel: +86 769 85358920
 Fax: +86 769 85358915
 E-mail: sales@wcon.com

WCON-Kunshan
 Tel: +86 512 57468408
 Fax: +86 512 57468468
 E-mail: salesks@wcon.com