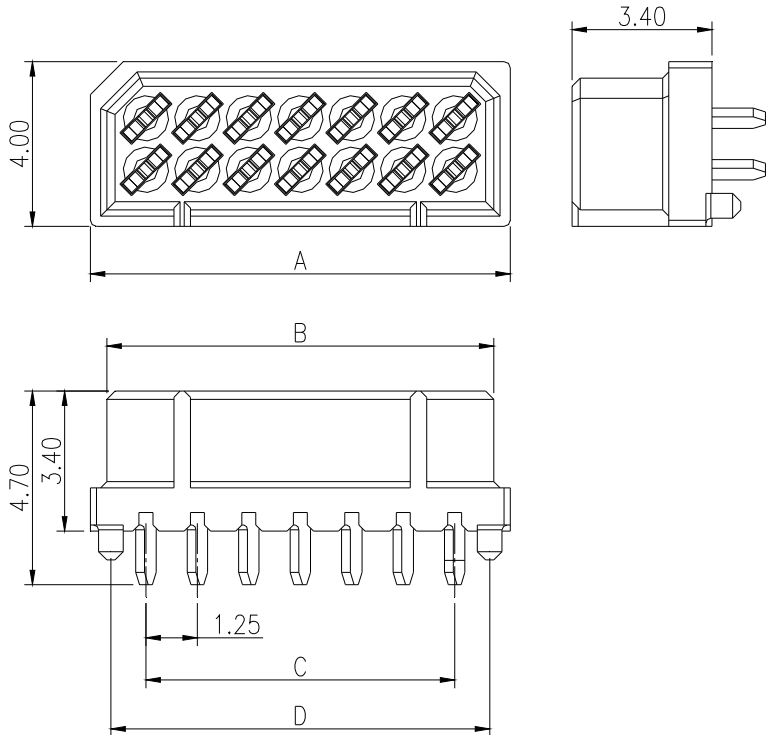
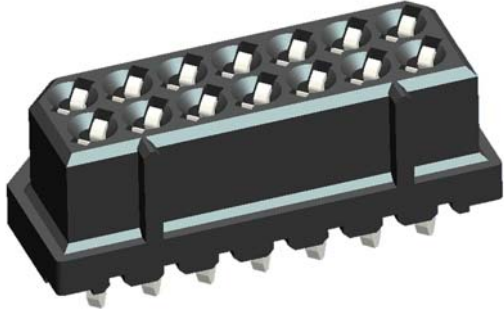


3651_180° DIP 系列:

PIN 数为: 6P 10P 12P 14P 16P 18P 20P 22P 24P



3651-SXXX-034XXR04	W/O POST
3651-SXXX-034XXR03	W/T POST

24	16.45	15.65	13.75	15.45
22	15.20	14.40	12.50	14.20
20	13.95	13.15	11.25	12.95
18	12.70	11.90	10.00	11.70
16	11.45	10.65	8.75	10.45
14	10.20	9.40	7.50	9.20
12	8.95	8.15	6.25	7.95
10	7.70	6.90	5.00	6.70
6	5.20	4.40	2.50	4.20
Pos.	A	B	C	D

