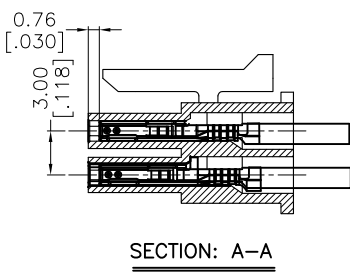
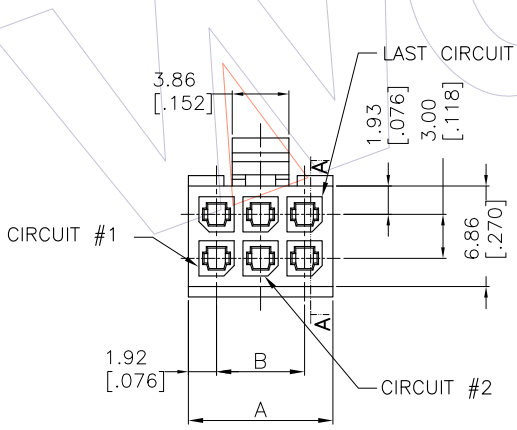
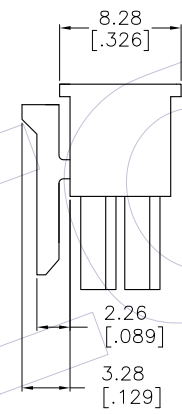
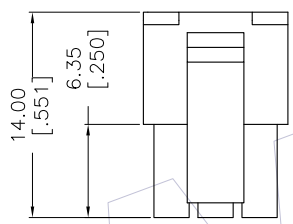
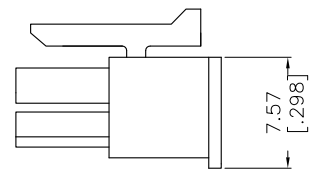
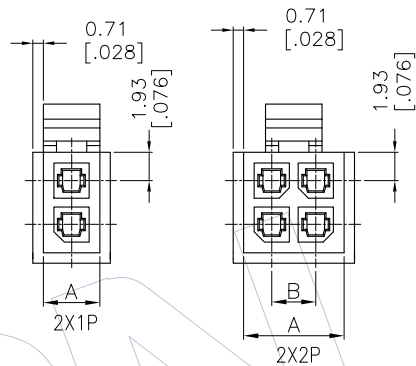
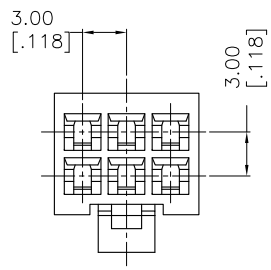


HSF

NOTES:

Current Rating: 5.0 AMP
 Voltage Rating: 250V AC/DC
 Temperature Range: -25°C to +85°C
 Contact Resistance: 10mΩ Max.
 Insulation Resistance: 1000MΩ Min.
 Withstanding Voltage: 1000V AC/Minute
 Material: PA66(UL94V-0)
 Color: Black



Ordering Information


WF3001-2H XX B 01

Terminal Shape
H:HOUSING

No.of Pins
02-12P

Colour:
B:Black

CIRCUIT	Part No.	A	B
2X1	WF3001-2HK01B01	3.86[0.152]	NA
2X2	WF3001-2HK02B01	6.85[0.270]	3.00[0.118]
2X3	WF3001-2HK03B01	9.85[0.388]	6.00[0.236]
2X4	WF3001-2HK04B01	12.85[0.506]	9.00[0.354]
2X5	WF3001-2HK05B01	15.85[0.624]	12.00[0.472]
2X6	WF3001-2HK06B01	18.85[0.742]	15.00[0.591]
2X7	WF3001-2HK07B01	21.85[0.860]	18.00[0.709]
2X8	WF3001-2HK08B01	24.85[0.978]	21.00[0.827]
2X9	WF3001-2HK09B01	27.85[1.096]	24.00[0.945]
2X10	WF3001-2HK10B01	30.85[1.215]	27.00[1.063]
2X11	WF3001-2HK11B01	33.85[1.333]	30.00[1.181]
2X12	WF3001-2HK12B01	36.85[1.451]	33.00[1.299]

				OPERATION		DRAW		DATE		SCALE		PART NO.		 Http: www.wcon.com WCON-Dongguan WCON-Kunshan Tel: +86 769 85358920 Tel: +86 512 57468408 Fax: +86 769 85358915 Fax: +86 512 57468468 E-mail: sales@wcon.com E-mail: sales@wcon.com	
				X.X	±0.40	Sam		2012.06.12		1:1		WF3001-2HXXB01			
				X.XX	±0.25	CHECK		DATE		UNIT		TITLE:			
				X.XXX	±0.15	APPROVE		DATE		SIZE		3.00 mm DUAL ROW HOUSING			
				Angle	± 3'					SHEET		Customer NO.			
				DIM	TOL					PROJ.					
REV	DATE	MODIFICATION DESCRIPTION		CHANGE											
A0	2012.06.12	NEW		Sam											